

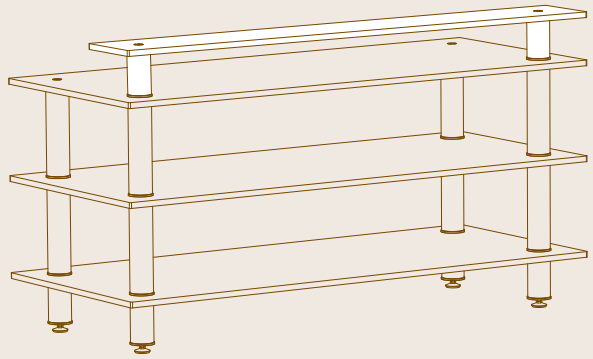


Shelves

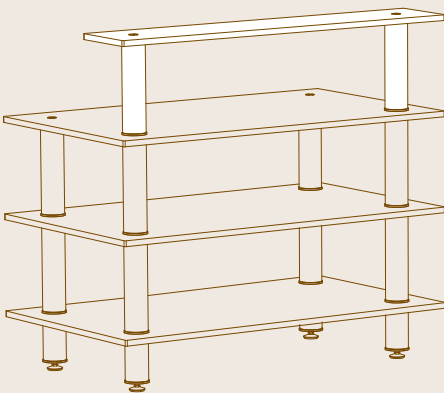
Assembly instructions



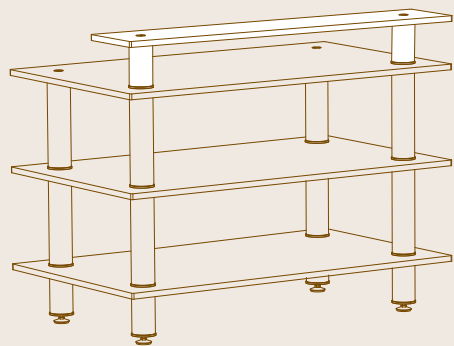
ITEM# BS001



ITEM# BS004



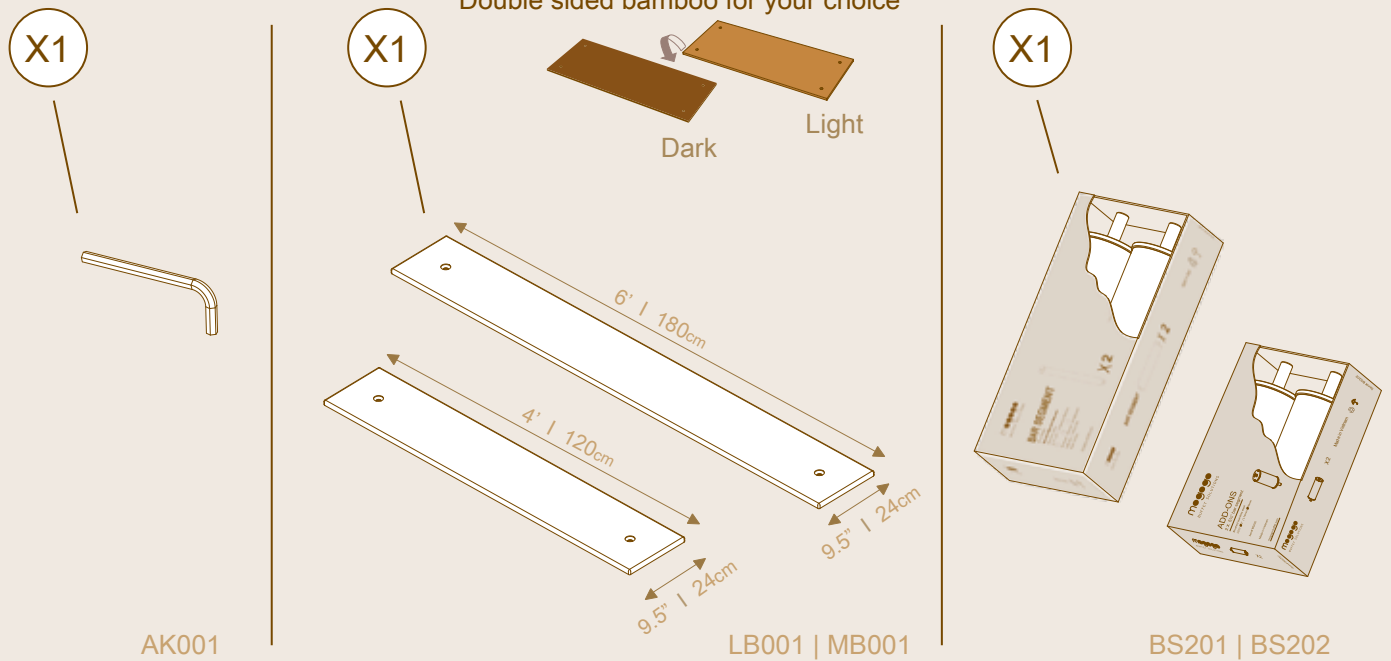
ITEM# BS002



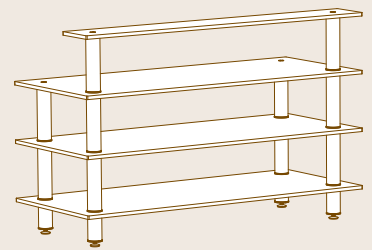
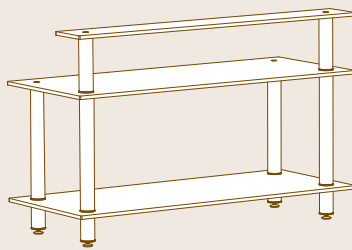
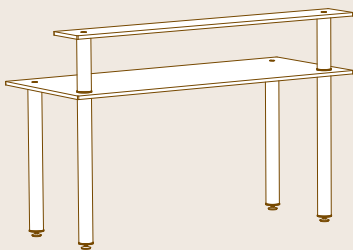
ITEM# BS003

SMART & SIMPLE

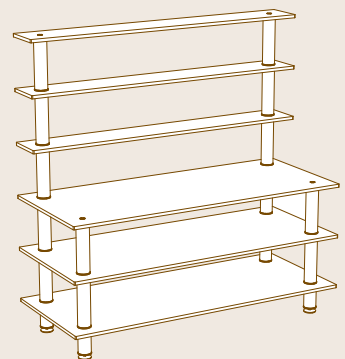
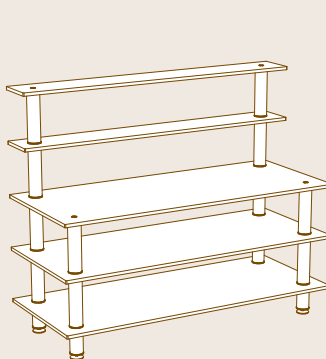
Parts



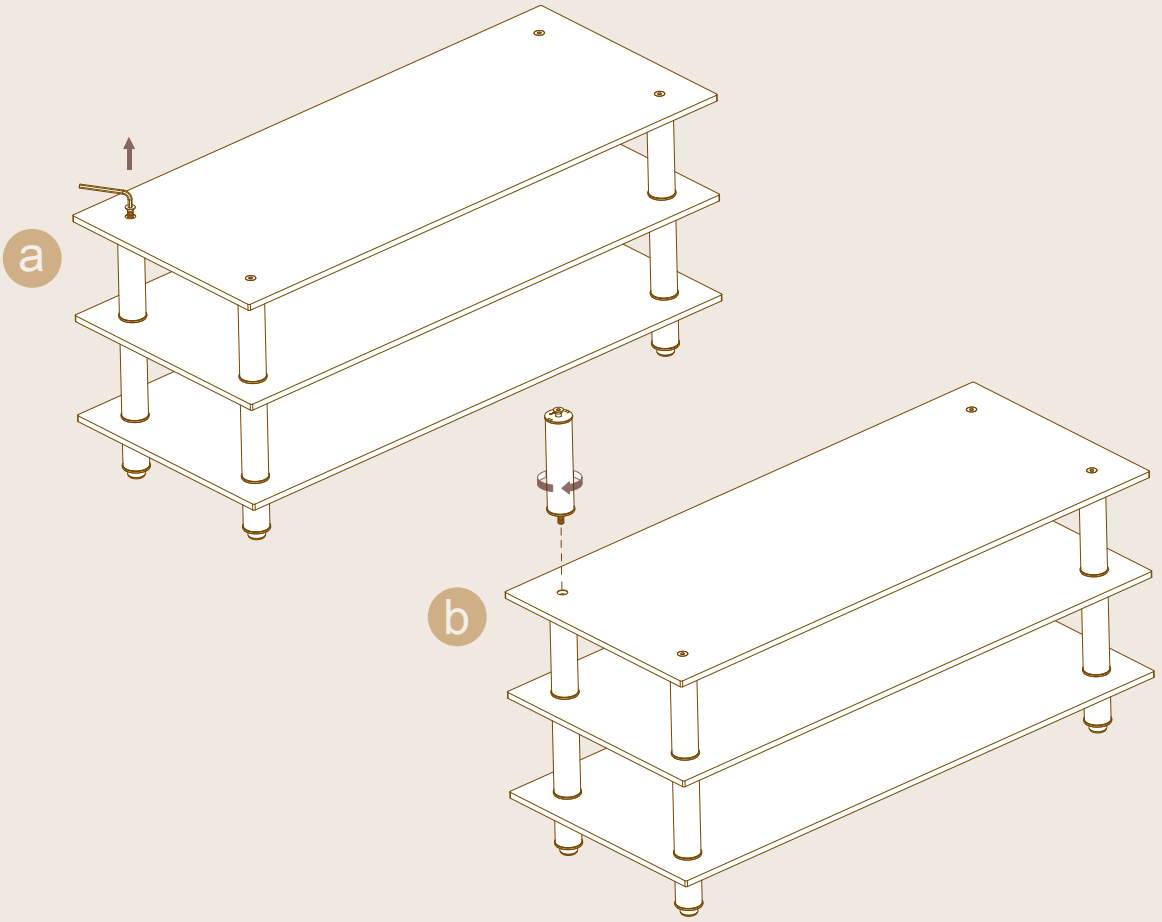
Fits Basic, Standard and Classic range.



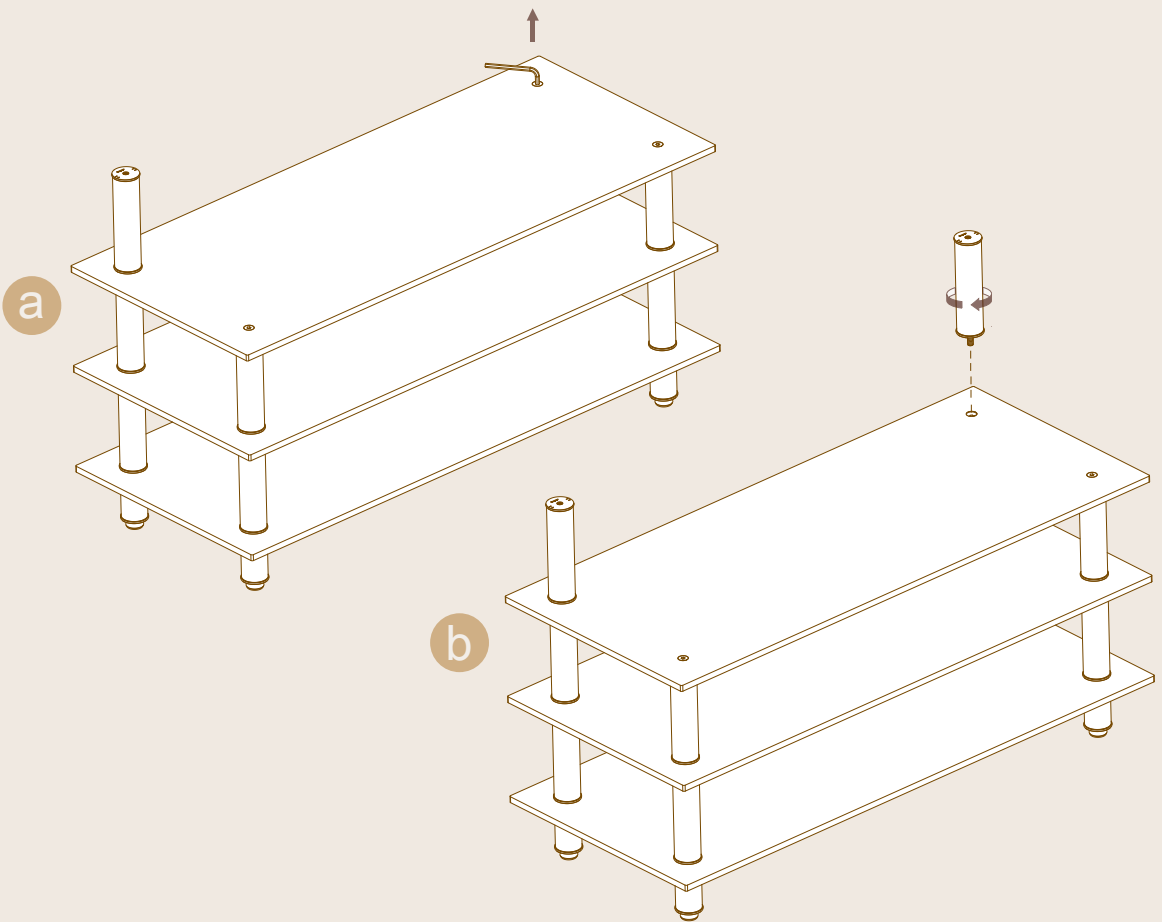
For additional storage space,
Shelves can be stacked.
When using more than one shelf,
lean against a wall for safety.



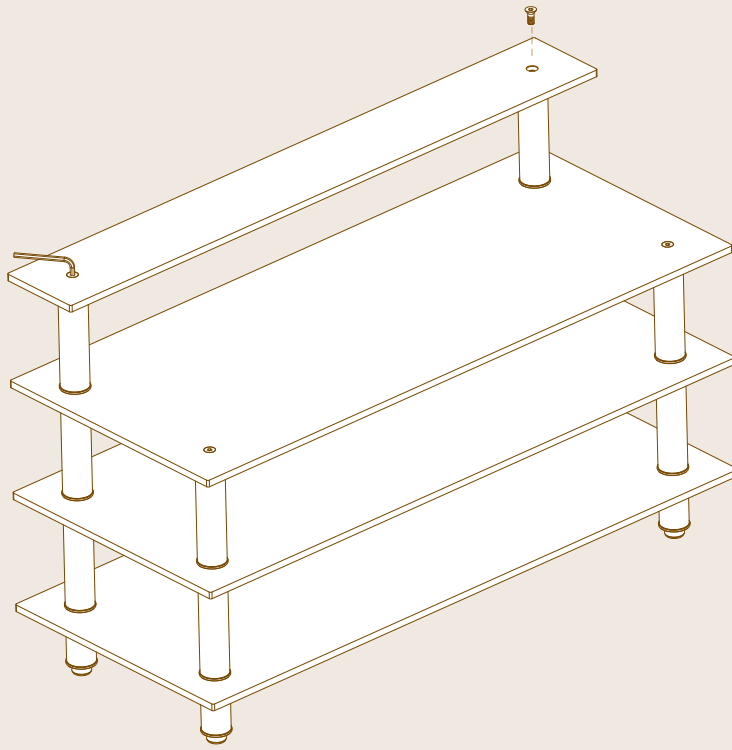
1



2



3



4

