

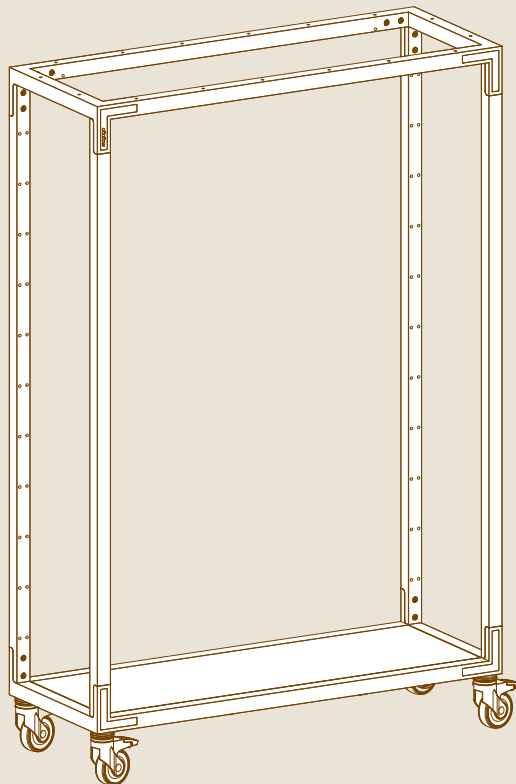
mogogo

Canvas
SHELVING SYSTEM

EMPTY UNIT WITH CASTERS

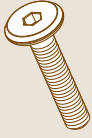


ASSEMBLY INSTRUCTIONS



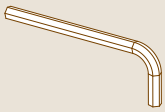
PARTS

X16



M6X30 FLAT HEAD SCREW

X1



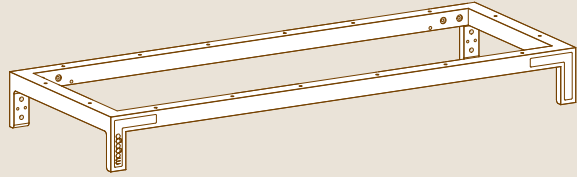
ALLEN KEY FOR M6 SCREWS

X4



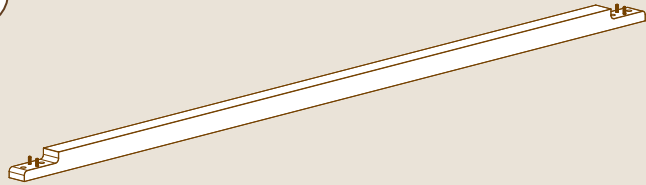
CASTER

X1



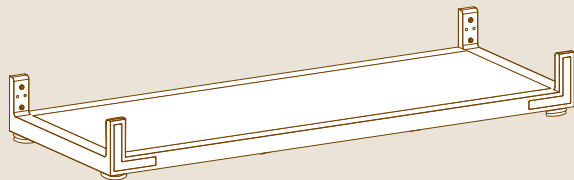
TOP FRAME

X4



FRAME UPRIGHT BEAM

X1

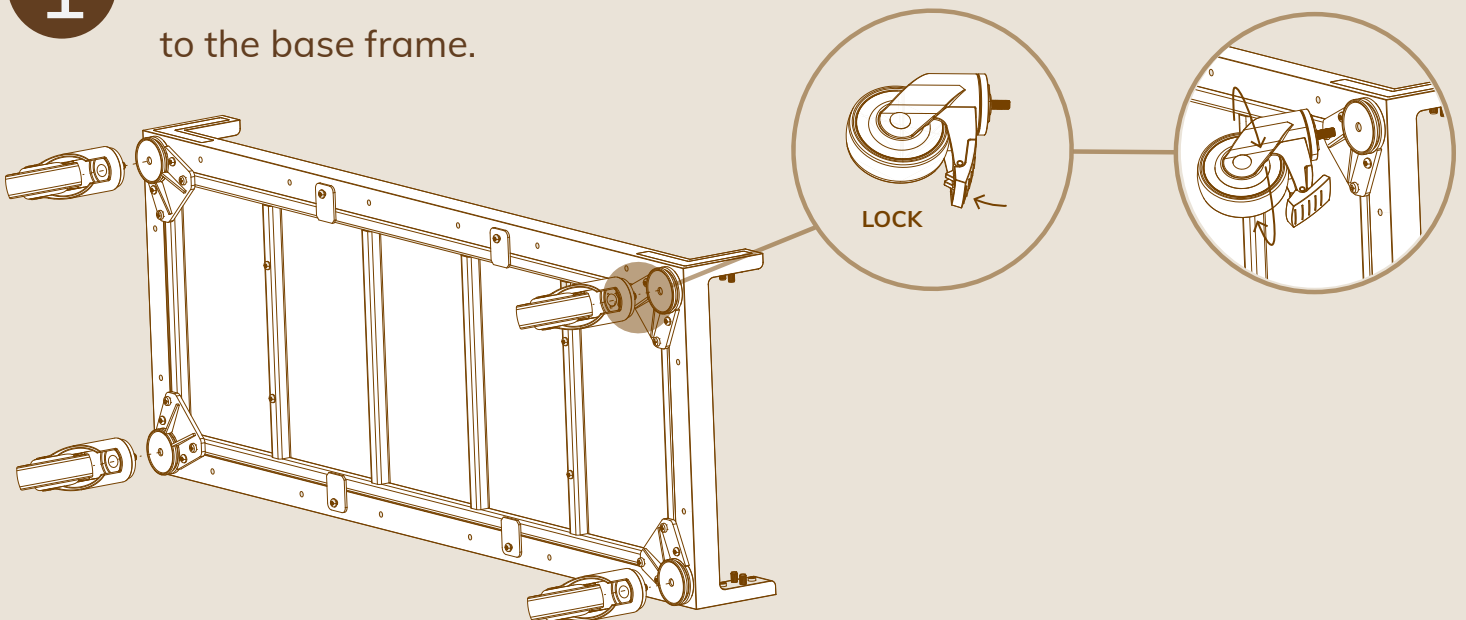


BASE FRAME

ASSEMBLY

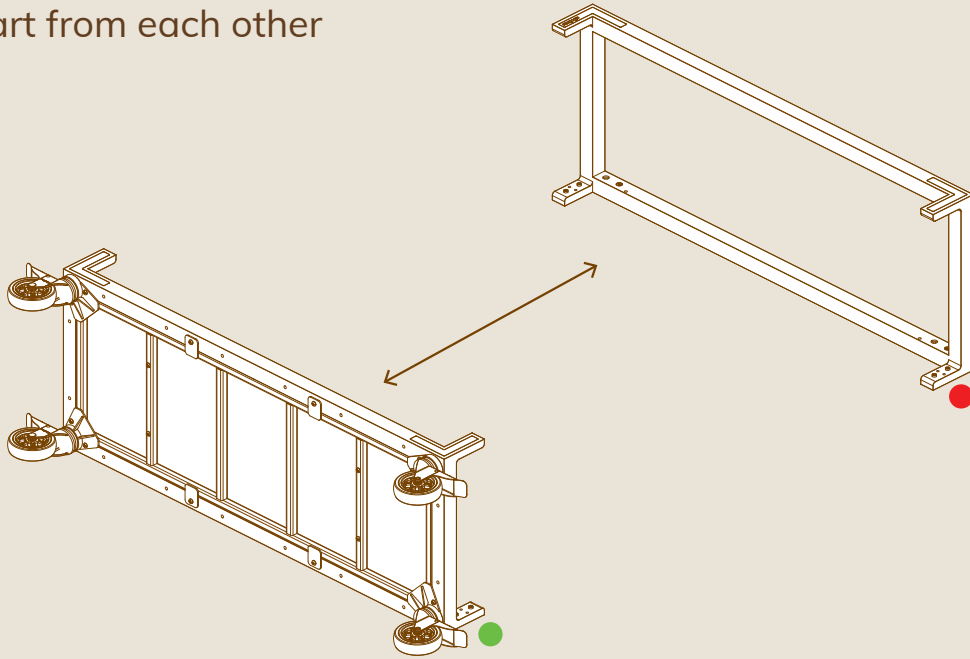
1

Lock the caster and then screw it tightly to the base frame.



2

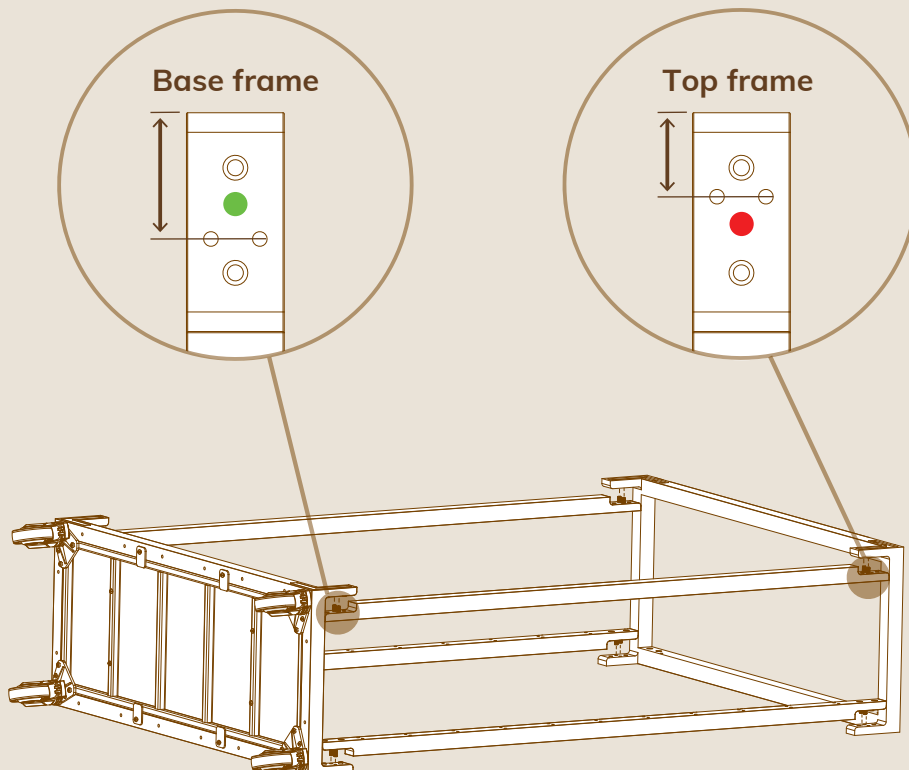
Place Base and Top Frame
apart from each other



3

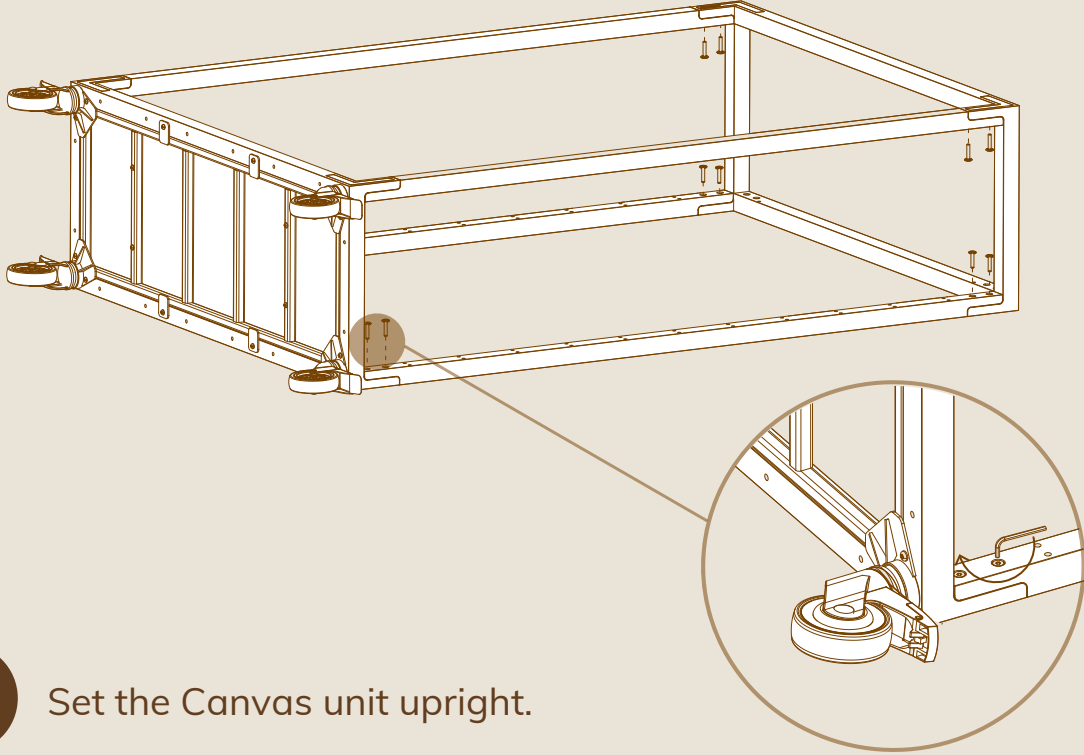
Assemble the frame uprights to the base frame.
Support the uprights while tightening!

Make sure you connect each end of the beam to the right side



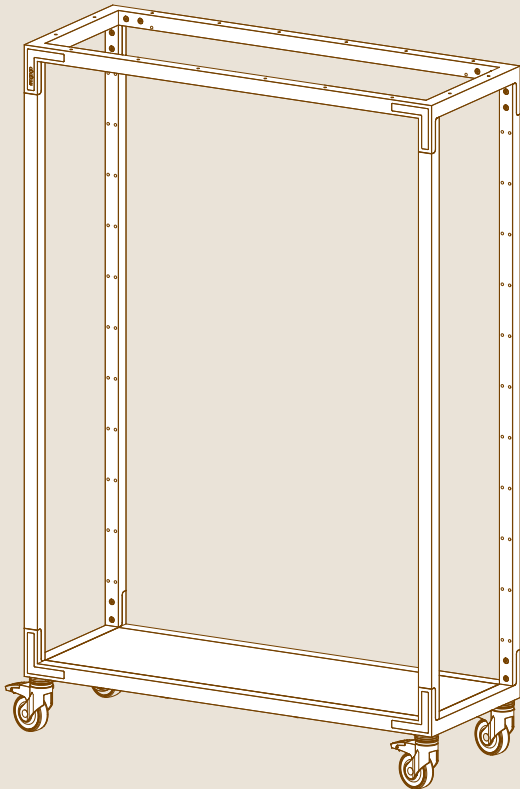
4

Tighten the frame uprights to the top frame



5

Set the Canvas unit upright.



GREAT JOB, YOU'RE GOOD TO GO!