



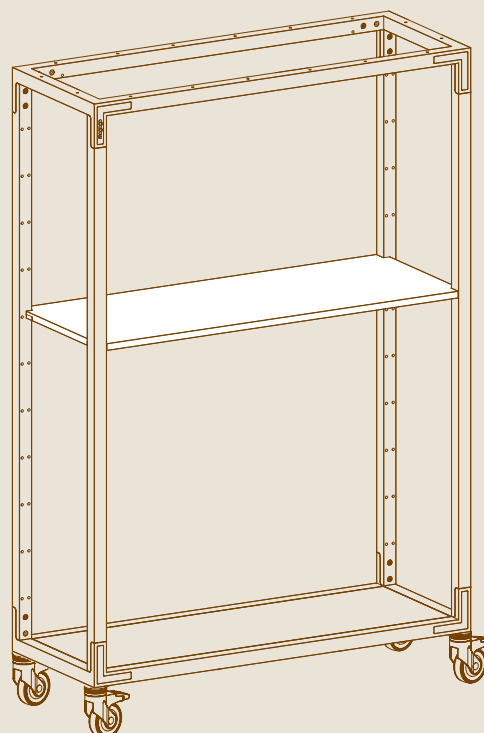
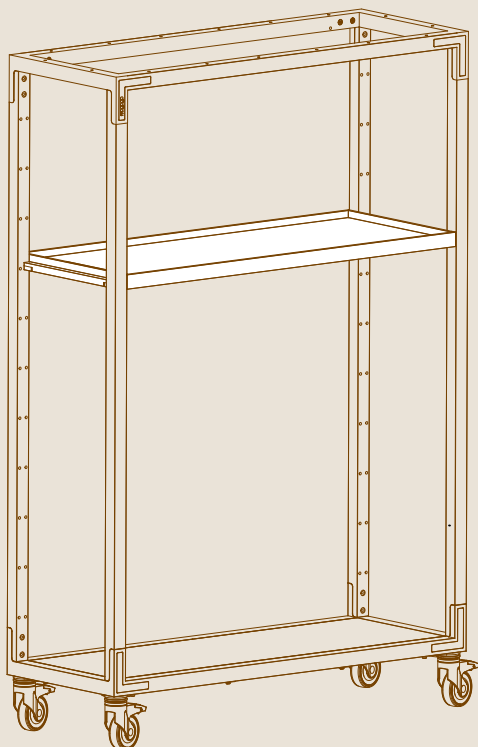
# Canvas

SHELVING SYSTEM

---

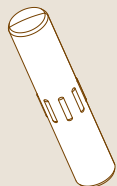
## SHELF / SHELF WITH BORDER

### ASSEMBLY INSTRUCTIONS



# PARTS

x4



NYLON DOWEL PIN

x1



SHELF

OR

x1

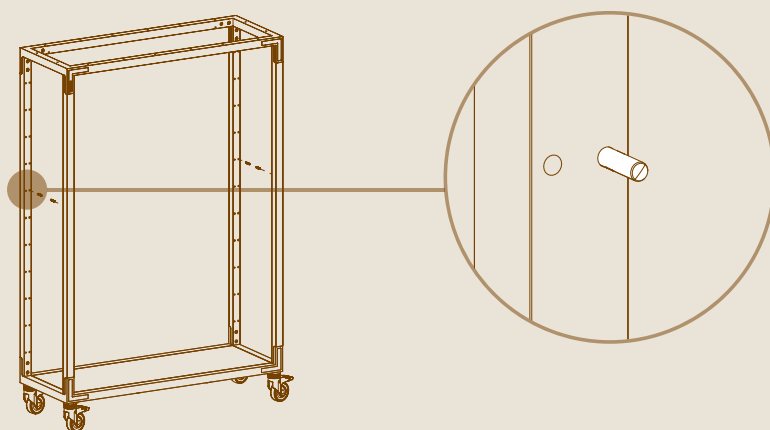


SHELF WITH BORDER

# ASSEMBLY

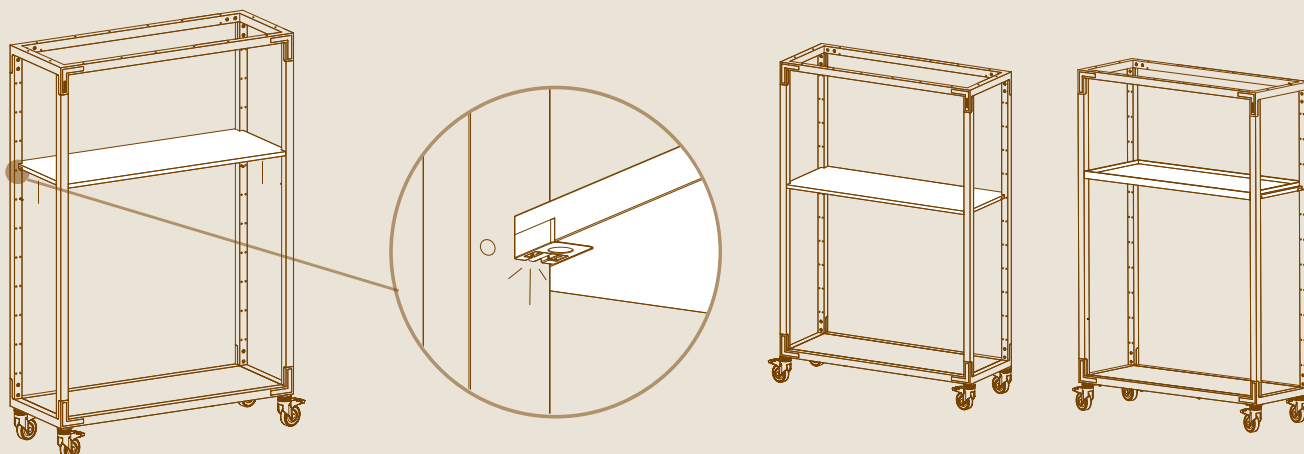
1

Insert 4 pins into the Canvas unit's inner holes.  
Make sure all pins are the same height.



2

Place and snap the shelf on the pins.



**GREAT JOB, YOU'RE GOOD TO GO!**