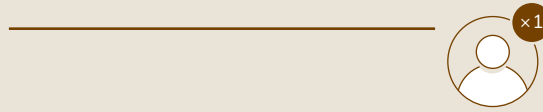




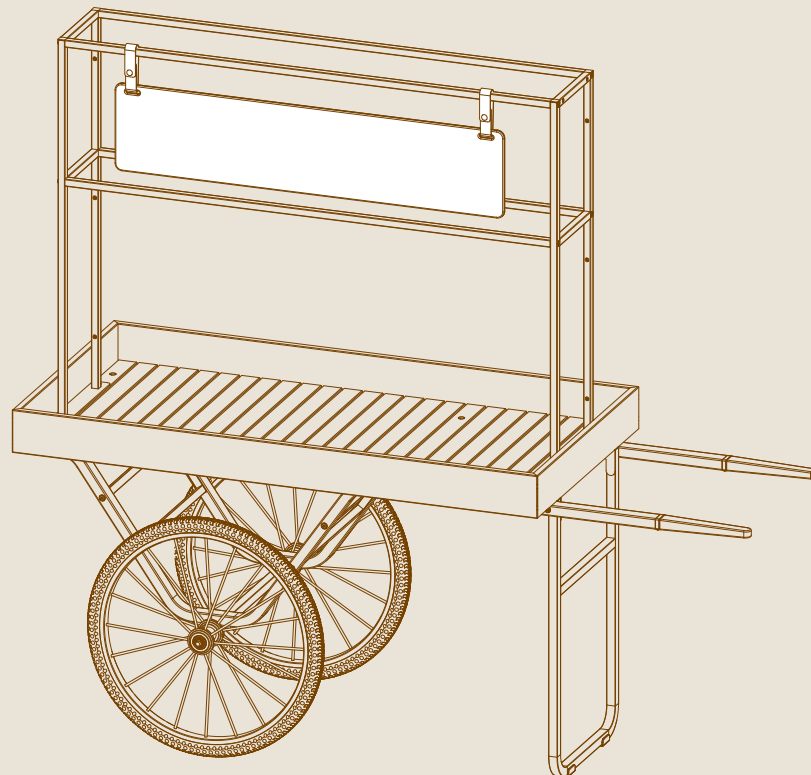
Cantine

DISPLAY CART



SIGN

ASSEMBLY INSTRUCTIONS



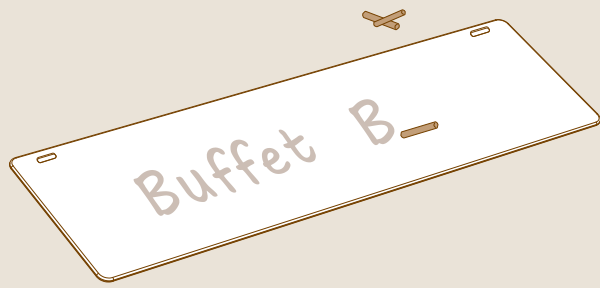
PARTS

X2



LEATHER STRAP

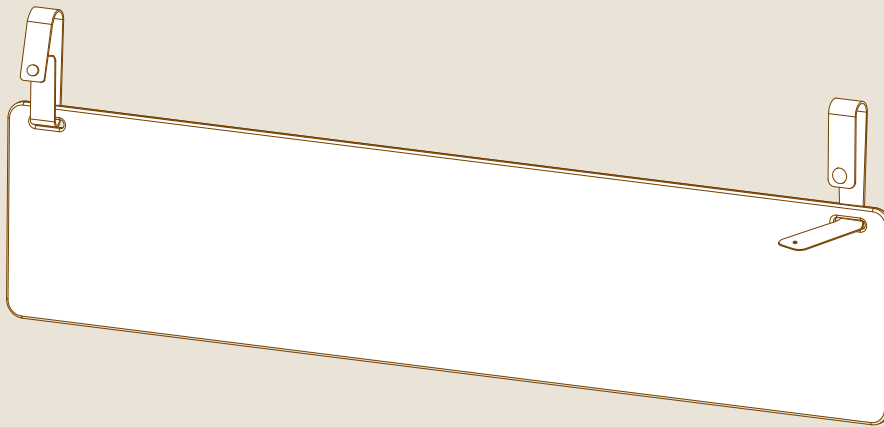
X1



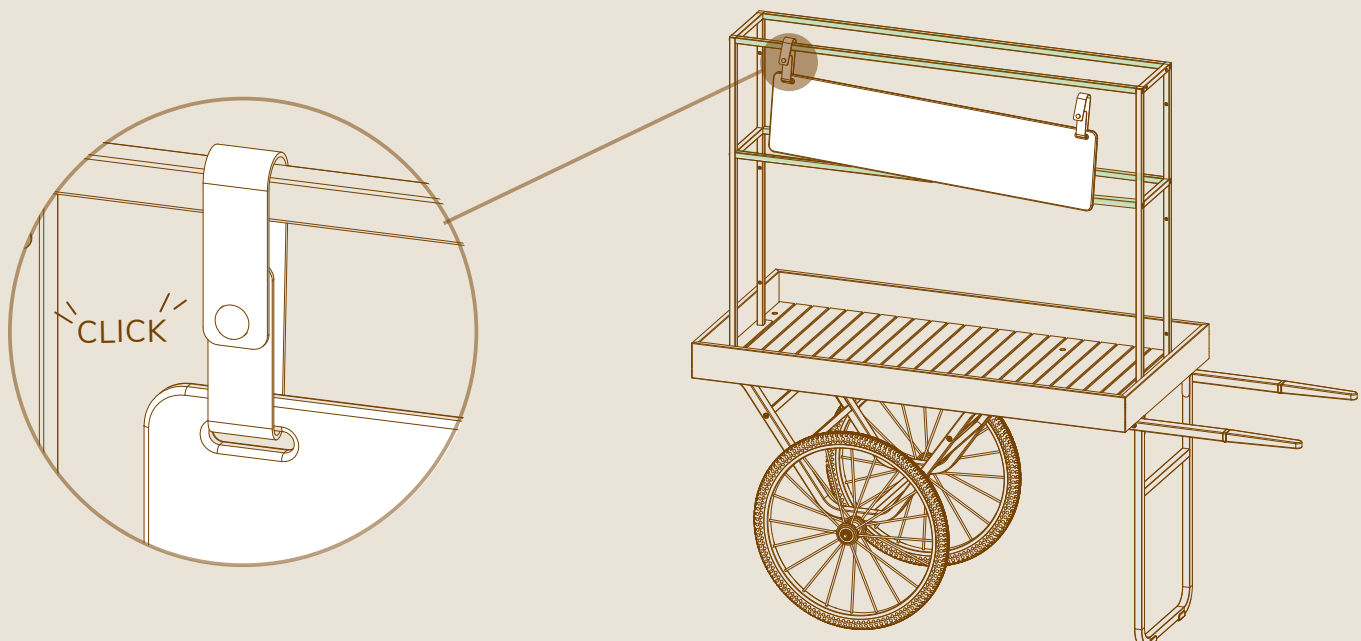
SIGN
(THE DESIRED TEXT SHOULD BE WRITTEN DOWN FIRST)

ASSEMBLY

- 1 Connect the leather straps to the sign
(No need to close them for now).



- 2 Placed the sign at your preferred location on the frame.



GREAT JOB, YOU'RE GOOD TO GO!