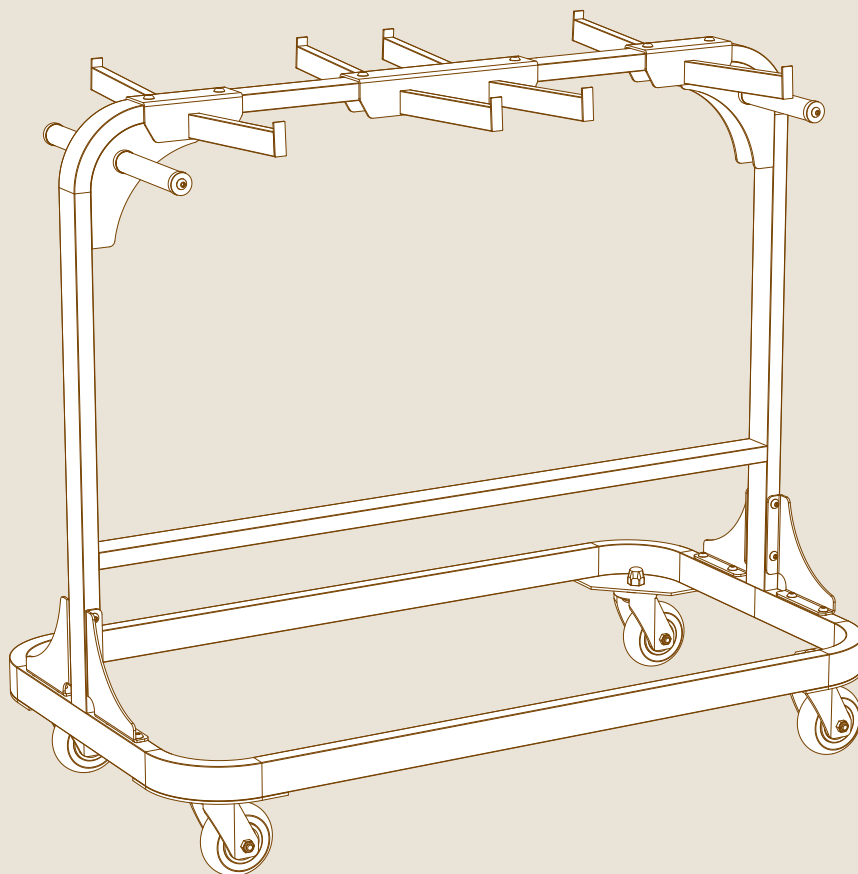


mogogo

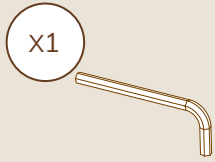
UTILITY

COLLECTION

CLIX LEG TRANSFER AND STORAGE CART

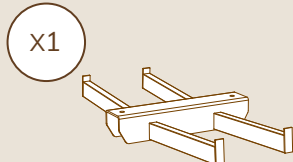


PARTS



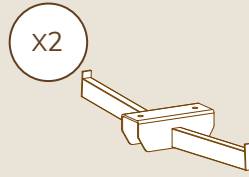
X1

ALLEN KEY FOR M10 SCREWS



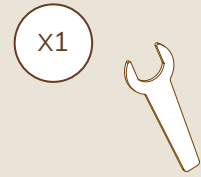
X1

DOUBLE RACK



X2

SINGLE RACK



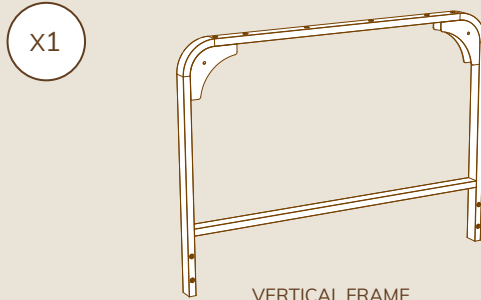
X1

FLAT KEY



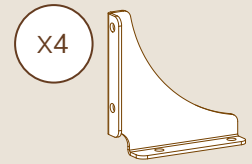
X22

ROUND CAP M10 SCREWS



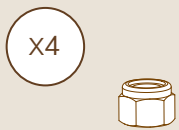
X1

VERTICAL FRAME



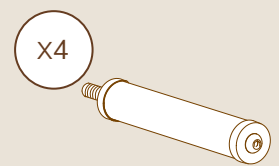
X4

FRAME ANGLES



X4

SCREW NUTS



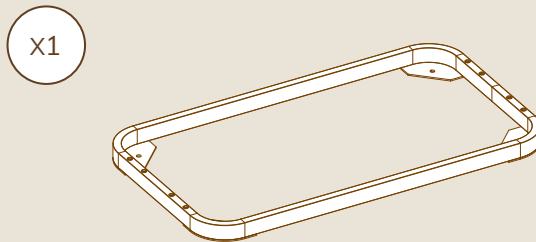
X4

HANDLES



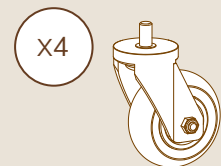
X4

SCREW CAPS



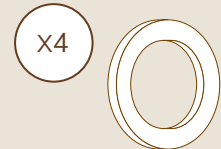
X1

HORIZONTAL FRAME



X4

CASTERS

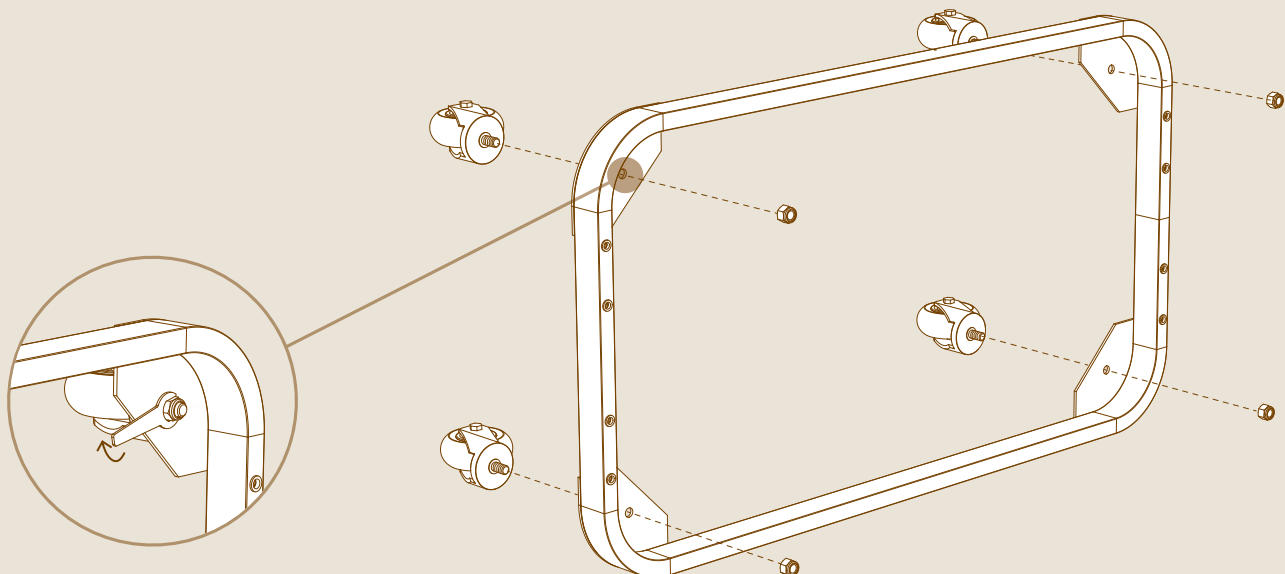


X4

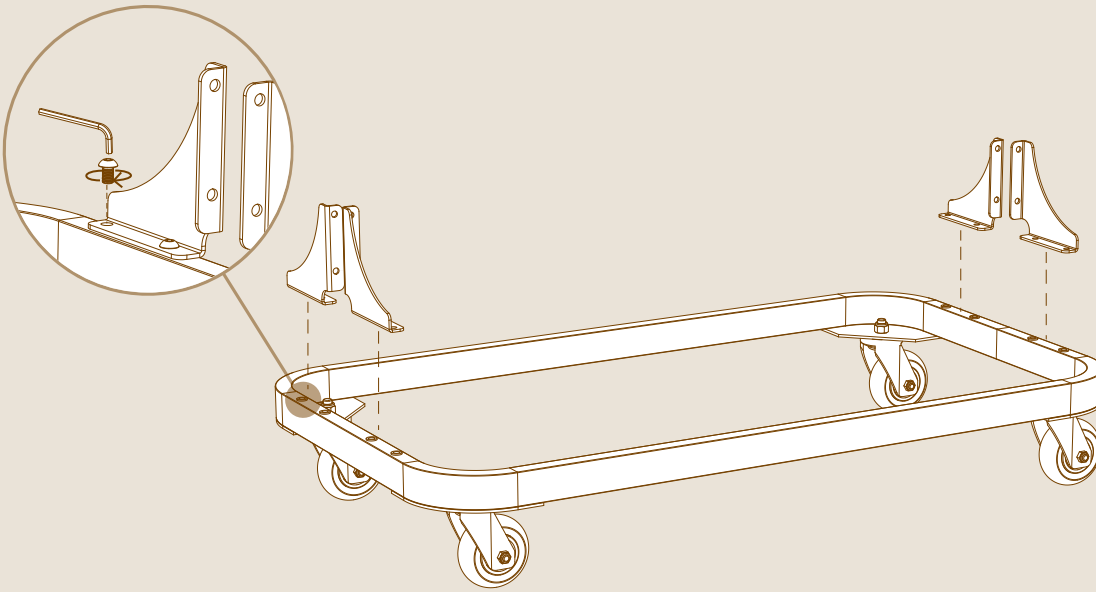
STEEL WASHERS

ASSEMBLY

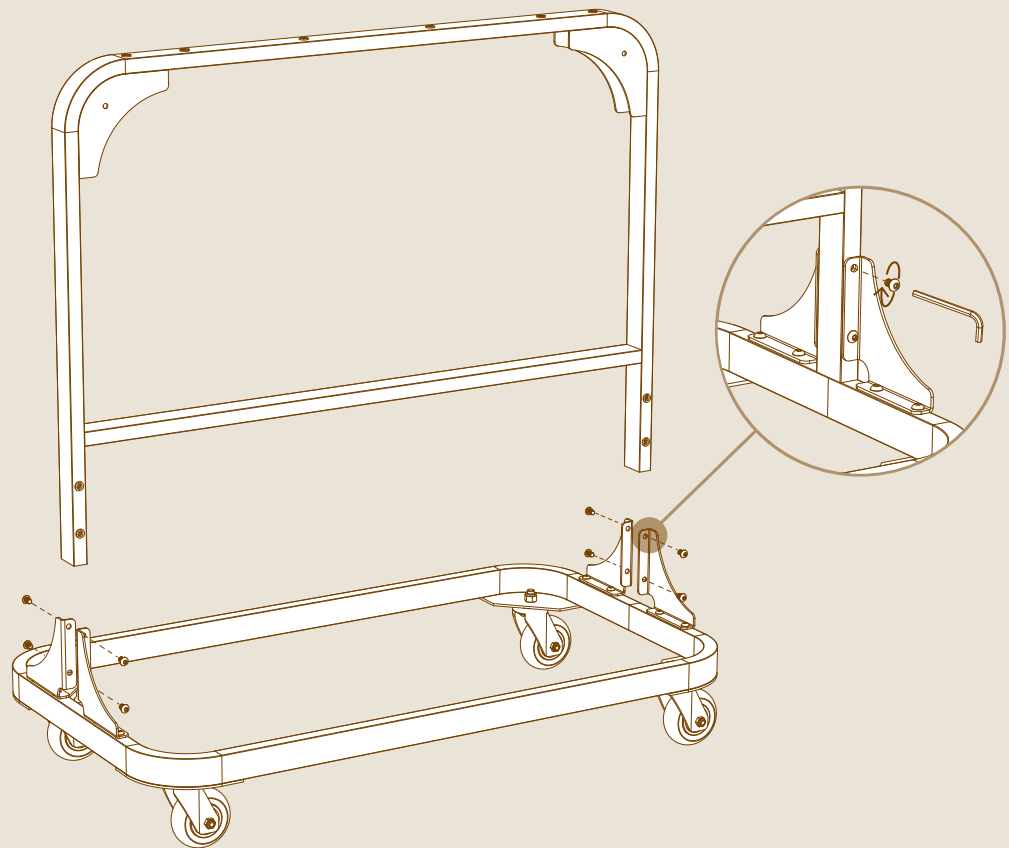
1



2 Keep frame angle screws loose.

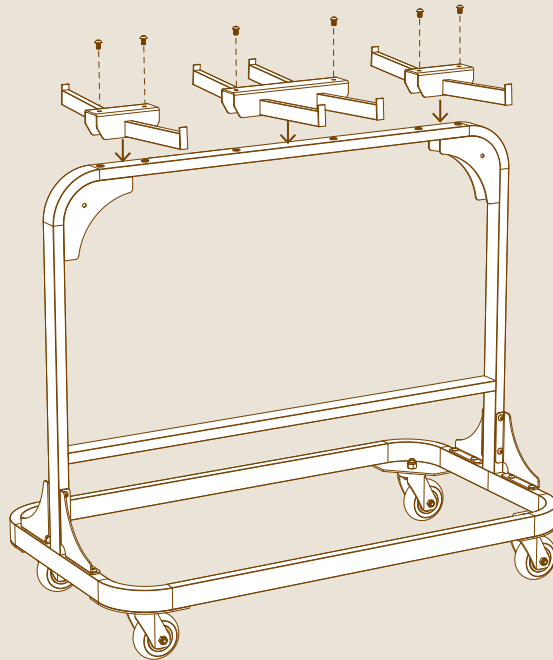


3 Adjust 4 frame angles to the vertical frame.



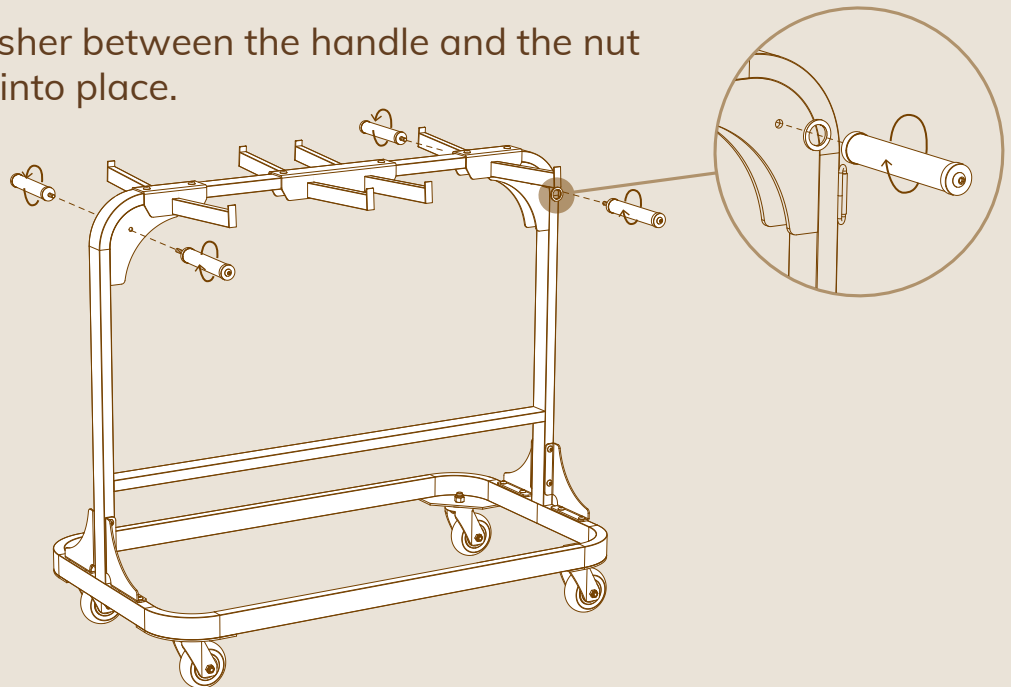
4 Tighten all screws.

5



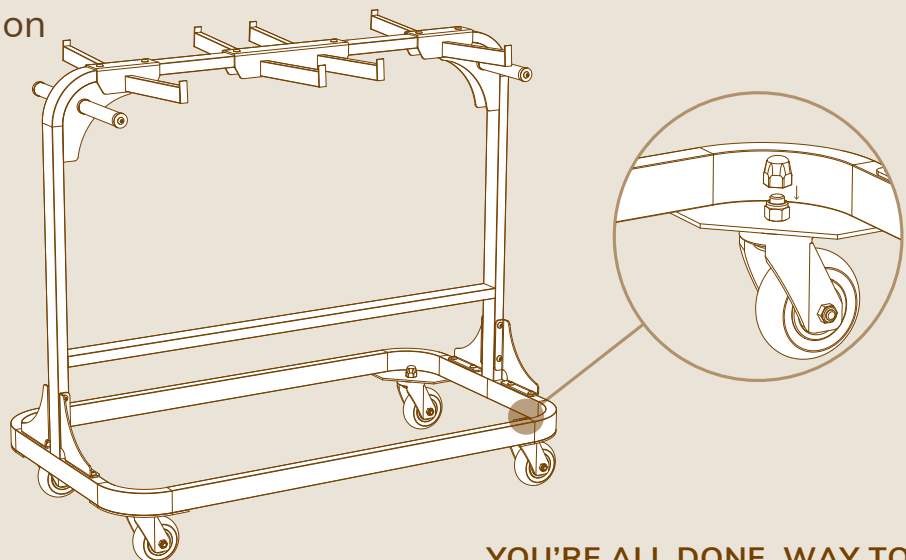
6

Place the washer between the handle and the nut and screw is into place.



7

Add screw caps on caster screws.



YOU'RE ALL DONE, WAY TO GO!